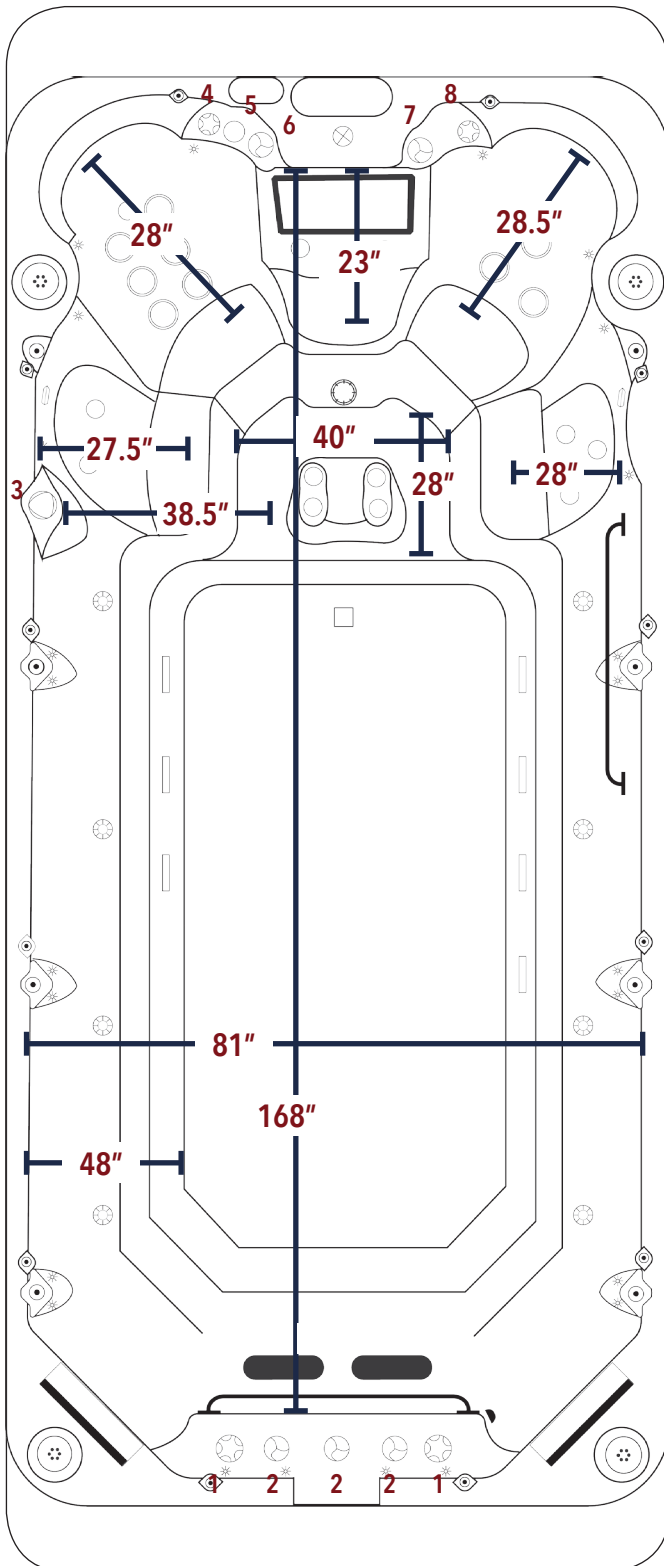


Topside spa controls, optional cabinet lights, cabinet panels for equipment access & electrical installation are located on this end



Inground depth is 24"  
Equipment height is 25"  
When backfilling, ensure equipment bay & components are above grade



#### PUMP CONFIGURATION

- Pump 1** Rotate diverter (#3) to one side for seating  
Rotate diverter (#3) to the other side to boost the river jets
- Pump 2** River jets

#### DIVERTER, AIR, & WATER CONTROLS

- 1 18" Crystal waterfalls
- 2 Air controls - river jets
- 3 Diverter - pump 1
- 4 Crystal water spouts
- 5 Blower
- 6 Air controls
- 7 Air controls
- 8 Crystal water spouts