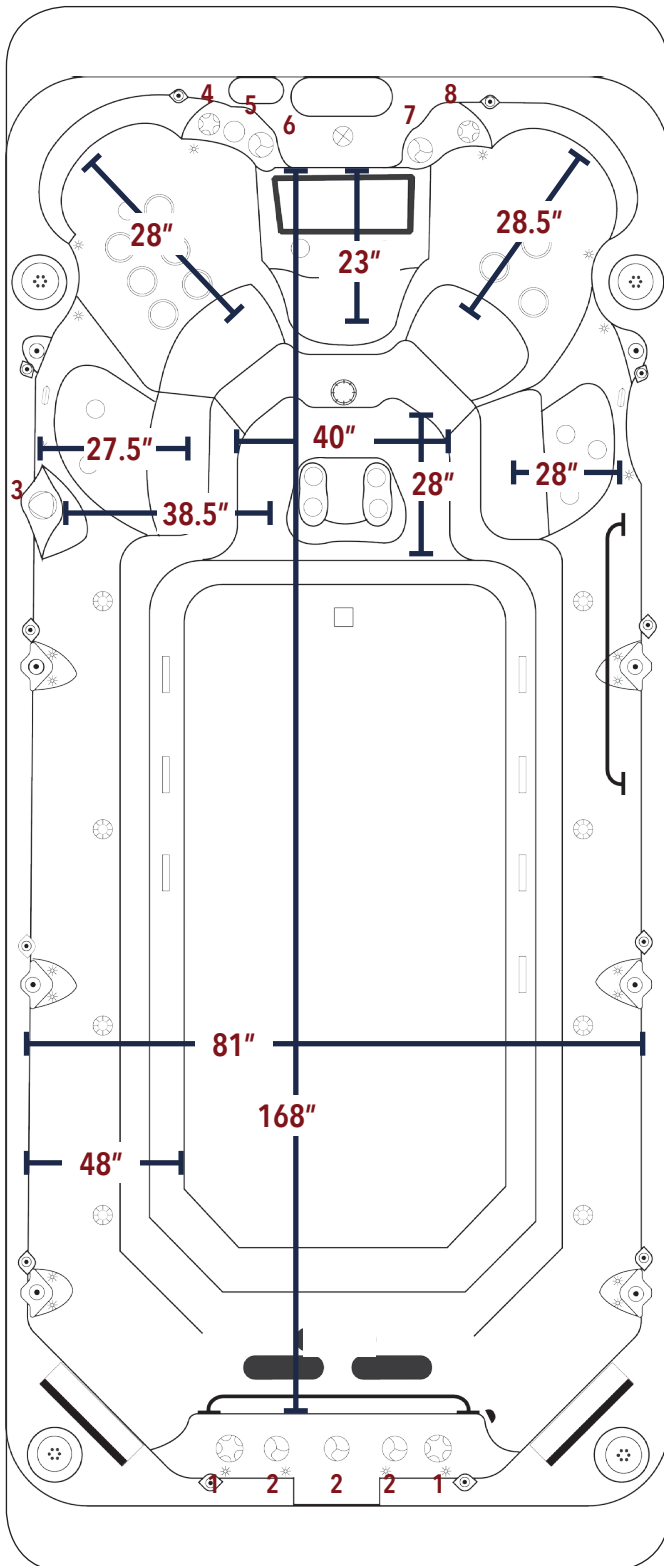


Topside spa controls, optional cabinet lights, cabinet panels for equipment access & electrical installation are located on this end



Inground depth is 24"
Equipment height is 25"
When backfilling, ensure equipment bay & components are above grade



PUMP CONFIGURATION

- Pump 1** Rotate diverter (#3) to one side for seating
Rotate diverter (#3) to the other side to boost the left side river jet
- Pump 2** River jets
- Pump 3** River jets

DIVERTER, AIR, & WATER CONTROLS

- 1** 18" Crystal waterfalls
- 2** Air controls - river jets
- 3** Diverter - pump 1
- 4** Crystal water spouts
- 5** Blower
- 6** Air controls
- 7** Air controls
- 8** Crystal water spouts